

Arrive HuddlePoint™ 4010-CMMH

BYOC Ready; Cable, Power and Media Management Hub
Model AHP-4010-CMMH

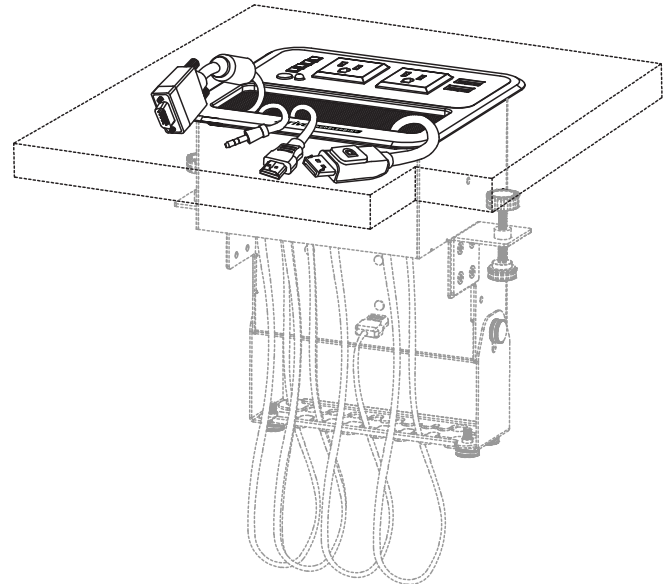


Presenting HuddlePoint™, the Bring-Your-Own-Conferencing (BYOC) ready, flat-top Cable, Power and Media Management Hub. The HuddlePoint marks the introduction of an advanced, integrated all-in-one (AIO) in-room wired cable management and integrated AV source switching system which includes:

- Wired multi-format AV switching and scaling for legacy and wired connected device presentations.
- Video source input auto-switching
- Smart device DC charging function
- Tabletop Type B AC socket for laptops and chargers
- Built-in USB 3.0 Hub

These capabilities are packaged in one user-friendly interface. Our single AIO appliance delivers a powerful and efficient collaboration experience for huddle rooms, small meeting rooms, classrooms and hotel guest rooms.

Arrive's HuddlePoint™ product line is the industry's first generation of universally integrated devices - supporting the most commonly used wired video connectivity platforms in a single device. This positions Arrive's HuddlePoint™ as the most innovative and cost effective interface for tabletop applications.



AHP-4010-CMMH



Key Features



Mainstream Wired BYOD: Built-in wired video inputs for HDMI, DisplayPort and legacy VGA+VGA Audio laptops and PCs.



Auto-Video Source Switching: Display user selected wired video sources to a single HDMI connected display.

- AV signals auto-switch upon connection sensing



Cable Management: Provides cable management receptacle where physical HDMI, DisplayPort, VGA and other pull out cables are housed for user convenience.

- Eliminates the need for additional break-out cables to be connected and disconnected each time



USB3.0: Offers faster transfer rate with its ease-of-use and plug and play making a huge difference in the world of usb peripherals including cameras, external microphones, interactive whiteboard and more.



Universal Fast Charging of Smartphones and Tablets: Built-in Universal USB DC fast charge ports provide universal charging to mainstream smartphones and tablet devices.



Many ways to control: Convenient user control via Auto-Switching of digital inputs, Button Panel Control with LED indicators and RS-232 control from third party control devices.

**BYOC
Ready**

Bring-Your-Own- Conferencing: Provides all the necessary AV connection access, device charging, AC power, remote control and USB connectivity - users only have to bring their own conferencing apps or devices.

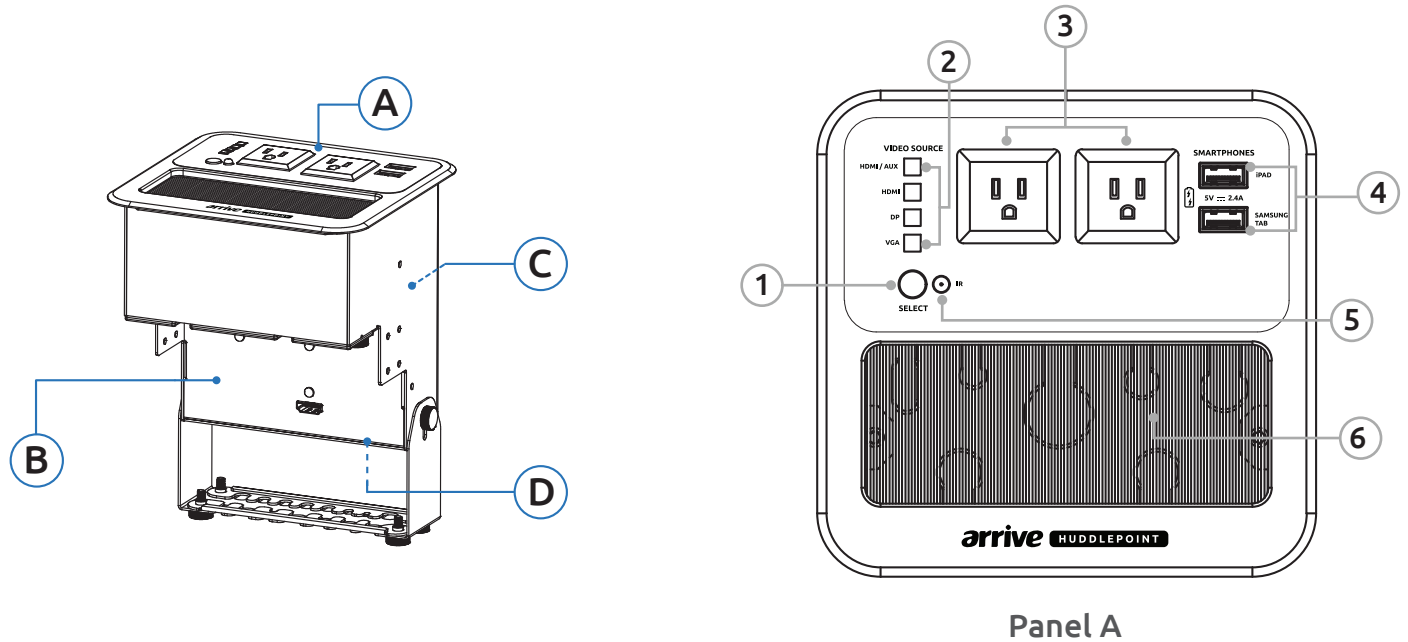
 **Hardware**

Processing

Wired BYOD

Integrated HDMI, Display Port, and VGA + VGA audio input. Physical connection ports with auto-switching on digital inputs. VGA is scaled to HDMI with audio embedded. HD out supports 1080p 60Hz on all source channels - wired. EDID pass through on wired sources.

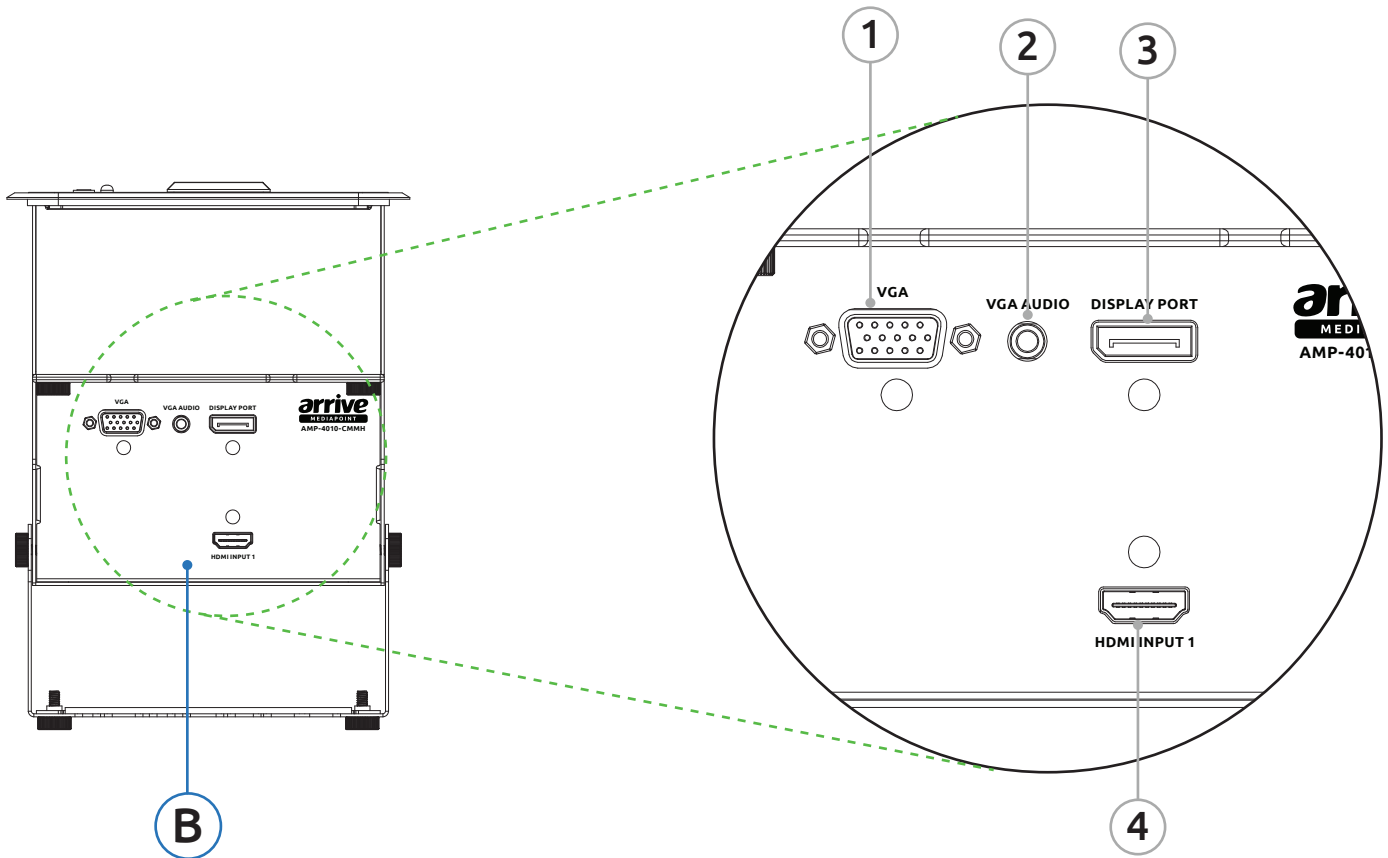
User Panel A Input / Output Connections



User Top Panel

- | | | |
|---|------------------------------------|---|
| 1 | Manual Source Select | Select the input source from a choice of wired HDMI or HDMI / AUX, Display Port, and VGA connected devices. Auto cycles to only connected devices, skipping non-connected sources. |
| 2 | Video Source, LED indicator | LED indicator highlights the connected video source that is being output to the large screen display. |
| 3 | AC Input / Output | AC 110V for connecting laptops and smartphone charging adapters via Type B AC socket. |
| 4 | Universal Fast Charge | <p>Dual high-speed ports located on the top panel allow quick charging of USB devices. Simply plug your device(s) into one or both of the supplied ports. Both top panel ports can charge most devices such as iPad, iPhone, Amazon Fire Phone and some of the Nokia Windows and Samsung Galaxy series phones. Use device approved USB cables only. Supports 5V-DC Max 2.4A Fast Charge</p> <ul style="list-style-type: none"> • 1x USB port on the left is optimized for Apple 2A and USB Battery Charger (BC) • 1x USB port on the right is optimized for Samsung Galaxy Tablet 2A and USB Battery Charger (BC) |
| 5 | IR Receiver | Use the IR handheld remote control to switch sources. Needs line of sight. |
| 6 | Cable Hub | Hub with soft brush to protect and support user provided cables |

Front Panel B Input Connections

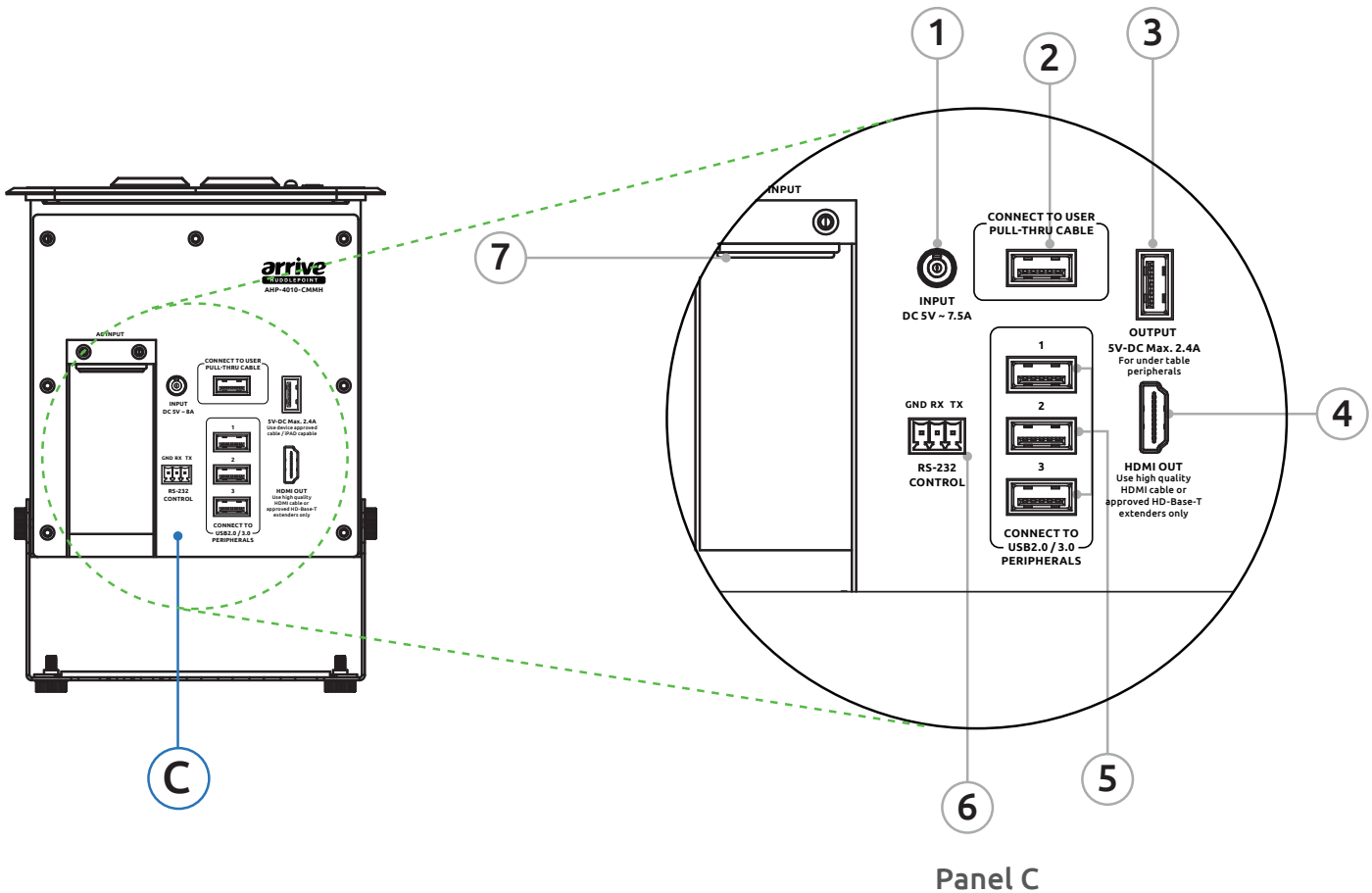


Panel B

Front I/O Panel

1	VGA Video Input	Connect standard 15 Pin HD legacy VGA cable to this port to enable VGA video source to be captured and converted to HDMI signal as a user selected output to display. Pull out cable of extendable length is provided by installer on site. Cable not included.
2	VGA Audio Input	Connect standard stereo audio 3.5mm male jack to this port to enable VGA audio source to be captured and embedded with the VGA video signal. Output is converted to HDMI signal. Cable not included.
3	Display Port Video Input	Connect standard 20 Pin Display Port cable to this port to enable DP video source to be converted to HDMI signal as a user selected output to display. Pull out cable of extendable length is selected and provided by installer on site. Cable not included.
4	HDMI Video Input	Connect standard 19 Pin HDMI cable to this port to enable HDMI video source to be user selected as an output to display. Pull out cable of extendable length is selected and provided by installer on site. Cable not included.

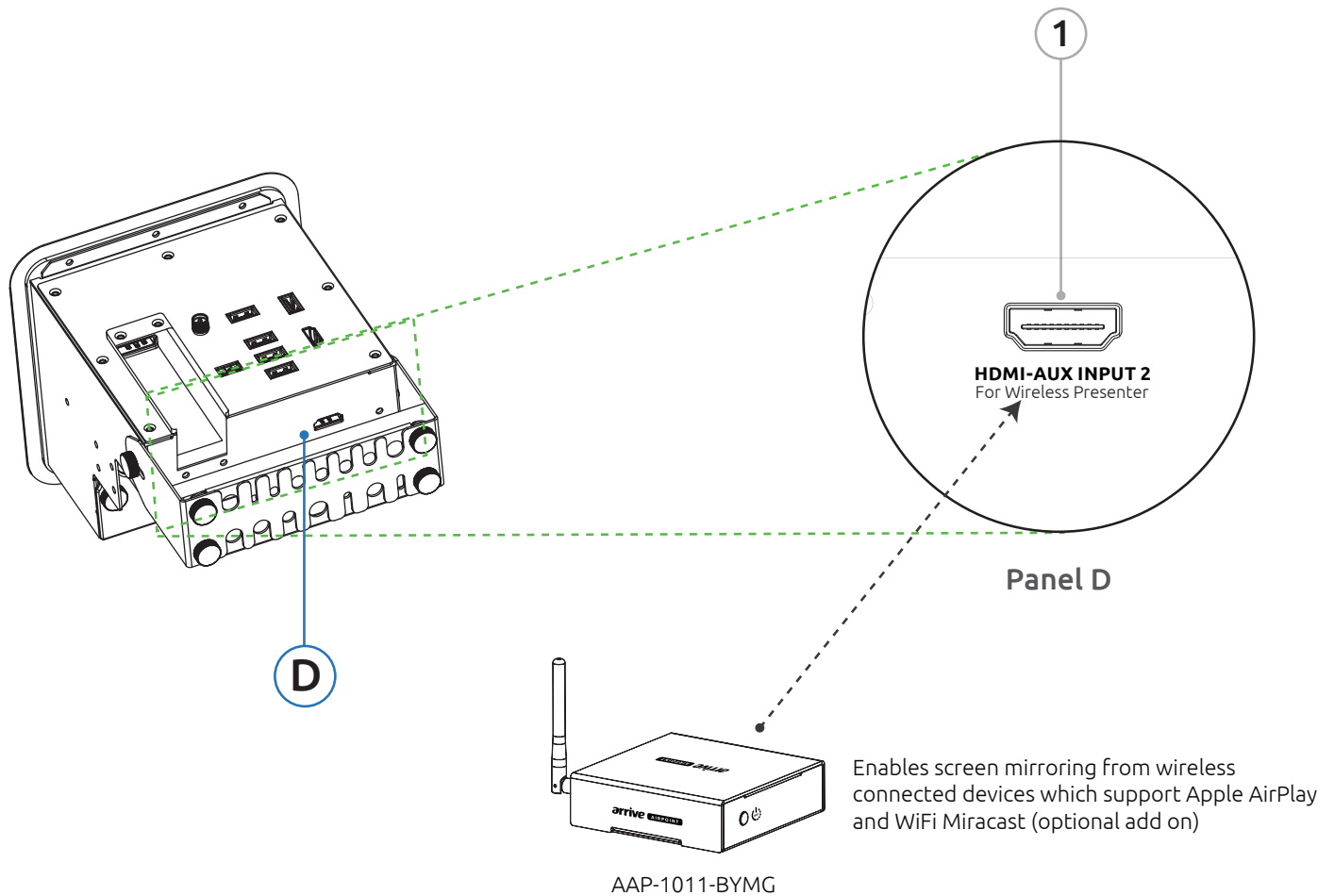
Panel C Recessed Back Input / Output Connections



Recessed I/O Panel

1	DC Input	Connect the factory provided 5V - 8Amp DC power adapter to this screw-on terminal.
2	USB3.0 Host	Connect to user pull-through cable - single USB connection to user PC which allows peripherals such as microphones, cameras and touch displays to be operated from a single wire connection.
3	Universal Fast Charge	Provides external DC power upto 5V 2.4 Amp max. to any peripherals or third party device. Capable of charging Apple iPad devices, and can charge most smartphones such as iPhone, Amazon Fire Phone and some of the Nokia Windows and Samsung Galaxy series phones. Use device approved USB cables only. Does not power off in sleep or standby mode. Not compatible with Samsung Galaxy tablets.
4	HDMI OUT	Connect a single large screen HD display to this port using a high quality HDMI cable or approved HD-Base-T HDMI extender.
5	USB 3.0 Hub	Connect to USB 2.0/3.0 Peripherals - offers faster transfer rate with its ease-of-use and plug and play, making a huge difference in the world of usb peripherals including cameras, external microphones, interactive whiteboard and more.
6	RS-232 Control	Control the AV switcher using third party control systems through RS-232 commands. Select the desired video source remotely without using the button panel. Refer to user guide for RS-232 command sets.
7	AC Input/Output	AC Input 10A 110V for connecting laptops and smartphone charging adapters via US type AC socket. The power cable should be attached to the input socket housed in a safe, recessed area of panel C. This is to prevent disconnection of the power cable.

Panel D Bottom Input Connection



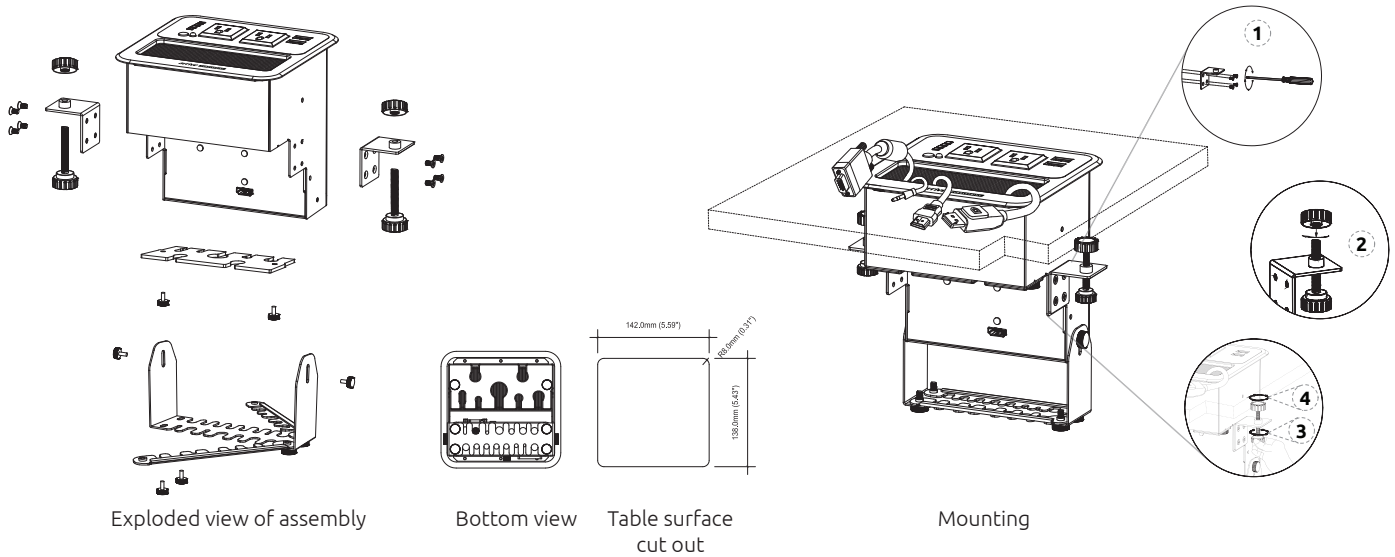
Bottom Panel

- 1 HDMI AUX IN Port HDMI auxiliary input for connecting wireless presenter like Arrive AirPoint BYMG or other third party media devices such as Apple TV, Android TV,etc.

Operating requirements

Power requirements	Input DC 5V 7.5 Amp
Power consumption	70 W Max
Operating temperature	5 to 30°C (23 - 86 °F)
Operating Position	Horizontal
Storage temperature	5-35°C (23 - 95 °F)
Operating Humidity	10-55%

Assembly and Mounting



Frame / Case	Recyclable aluminum alloy flat-top plate with metal powder coated body
Color	Black anodized brushed aluminum top plate - black metal powder coating elsewhere
Mounting	Flushed, table top mounting with integrated clamp system that secures frame to the furniture surface without the need for tools or additional parts.
Mounting Kit	Table top mounting kit included with installation instructions

Included hardware:

- 1x 5V DC - 8Amp power adaptor and 2x cables (100-240V AC 2Amp 50/60 Hz)
- 1x under table mounting kit
- 1x comb cable management kit
- 1x IR remote for display source selection
- Quick installation guide

Installation and System requirements

- Requires physical surface cut-out using installation template for mounting and fixing.
- Requires installer to select wired inputs such as HDMI, Display Port and VGA+VGA Audio and install table surface sized pull out high quality cables to provide pull out wired video connection facility.
- HDMI enabled display device (i.e. television, projector) and HDMI cable.
- Available AC Input / Output capability.

Certification and compliance

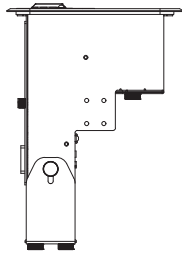
Regulatory certification	FCC-Class A, CE
Environmental compliance	RoHS, WEEE

SPECIFICATIONS

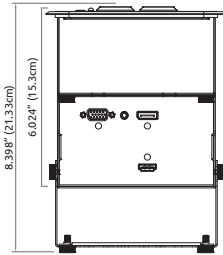
Arrive HuddlePoint™ 4010 - BYOC Cable Media Management Hub

Model AHP-4010-CMMH

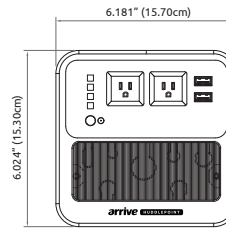
Dimensions and Weights*



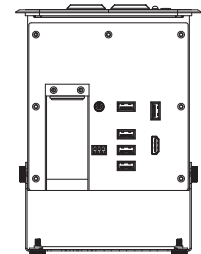
SIDE VIEW



FRONT VIEW



TOP VIEW



BACK VIEW

Net Weight/unit	4.73 lbs (2.15 kg)
Unit dimension	6.18" x 6" x 6" (15.7 x 15.3 x 15.3cm)
Box dimension	8.18" x 7.6" x 9.17" (20.8 x 19.5 x 23.3 cm)
Gross Shipping weight	5.73 lbs (2.6 kg)

Purchasing information

Model No	AHP-4010-CMMH
Description	Arrive® HuddlePoint™ 4010-CMMH BYOC Cable Media Management Hub with Wired BYOD, universal fast charge for mobile devices, built in USB 3.0 hub, cable management, AC Input / Output capability; Type B (3pin) AC socket.
SKU#	AHP-4010-001-001
Warranty Information	All Arrive Peripherals ship with a standard limited 12 months first user warranty. Please refer to Ver. SLHW-P-0101-15 - visit carepoint.arrivesys.com/warranty for updated information on warranty.

-This product is protected by Existing and Patent-pending status.-



Arrive Systems, Inc.
info@arrivesys.com
+1-844-427-7483 (USA/Canada Toll Free)



Type B socket AHP-4010-CMMH-808-001
Copyright © 2016 Arrive Systems, Inc. All rights reserved. All trademarks and copyrights, whether acknowledged or otherwise, are owned by their respective owners and are registered in the U.S. and/or other countries. Arrive® does not claim ownership of any trademark other than the Arrive®, Arrive InfoPoint™, Arrive RoomPoint™, Arrive FacePoint™, Arrive ViewPoint™, Arrive CloudPoint™, Arrive MediaPoint™, Arrive AirPoint™, Arrive MediaPoint™, Arrive TouchPoint™, Arrive ControlPoint™, Arrive CablePoint™, Arrive EyePoint™, Arrive VoicePoint™, Arrive SoundPoint™, Arrive OnePoint™ and Arrive Edgeless Media® trademarks. Specifications are subject to change without notice. All images are provided for reference use only, are graphically generated and representative for promotional purposes. Finished goods, packaging and products will be provided with user interface designs and graphic elements including packaging design elements that may vary from the images shown in this document. E&OE.